

PRATT COMBINATION 316SS SHOWER AND EYE WASH WITH BOWL & FOOT TREADLE

AEROSTREAM technology delivers a gentle cascade of soft flow water to flush away any hazardous materials from the eyes and face.

SWIRLTECH technology delivers a precise pattern and controlled flow rate of a large volume of flushing fluid, ensuring optimum decontamination when its needed most.

FCR/FCA all showers & eyewashes come standard with Flow Control Regulators and/or Flow Control Adjuster. The shower FCR assists for simultaneous flow between the shower and eyewash to ensure minimum flow outputs are not compromised. The eyewash incorporates our FCA, allowing for the fine tuning of flow output.

FEATURES

- Shower stanchion and fittings are 316SS
- 316 Stainless Steel Shower Head
- 316 Stainless Steel Eye Wash Bowl
- Hand and Foot Operated via Push Handle, Foot Treadle and Pull Rod
- Stainless-Steel Eyewash Assembly with Rubber Cups

OPTIONAL ACCESSORIES

- Emergency Shower and/or Eyewash Signs
- Alarm Kits
- Lighting
- Thermal Insulation
- Anti-Scald & Anti-Freeze Valves
- Shower Test Kit

Custom Modification where applicable

COMPLIANCE

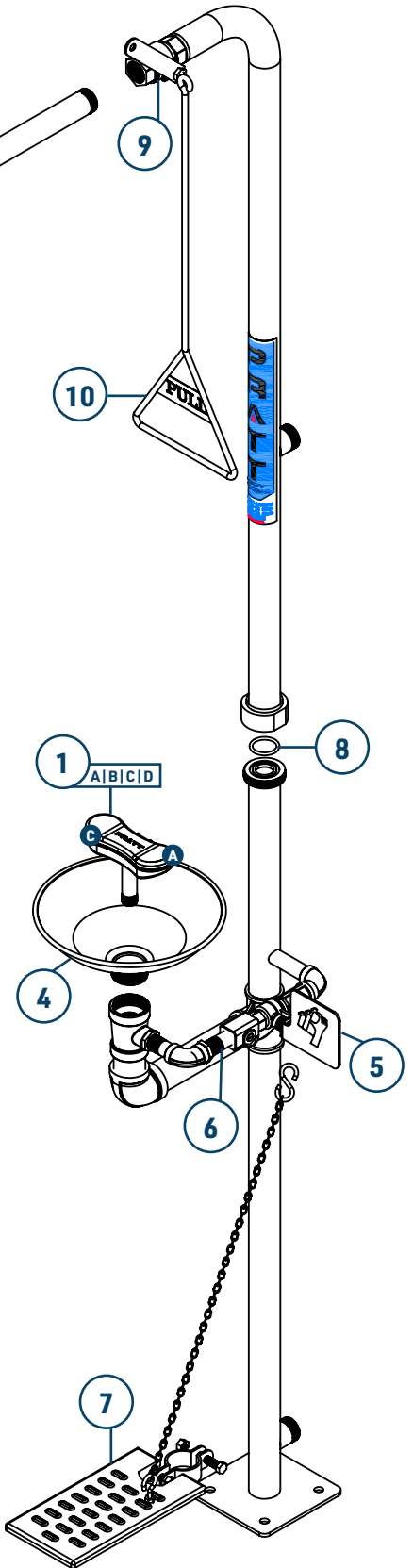
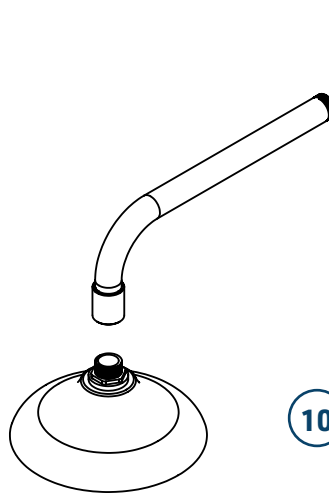
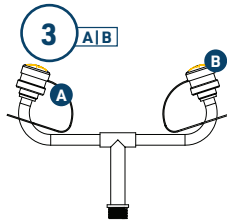
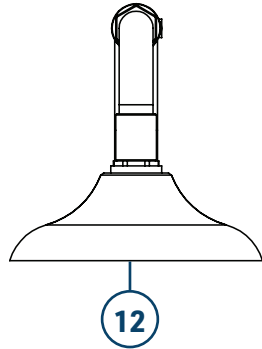
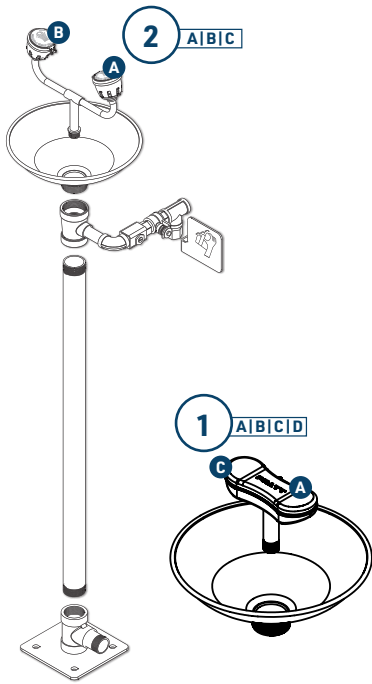
All PRATT emergency showers, and eye wash stations are designed and manufactured in an ISO 9001 accredited facility, with full conformance to both AS4775 and ANSI Z358.1 standard.

MANUFACTURED AND STANDARDS MARK™ CERTIFIED TO AS 4775-2007 – EMERGENCY SHOWER AND EYE WASH EQUIPMENT

TYPE TESTED TO AS/NZS 4020:2018 – SUITABILITY FOR CONTACT WITH DRINKING WATER



SPARE PARTS



| | | |
|-------|--------|--|
| 1 | 570027 | PRATT EYE & FACE WASH NOZZLE YELLOW ABS PLASTIC SUITS ALL ELITE EYEWASH |
| 1A | 570029 | PRATT DUST CAP ABS PLASTIC TO SUIT EYE & FACE WASH NOZZLE |
| 1B | 570030 | PRATT SS304 SCREWS PACK OF 6 TO SUIT EYE & FACE WASH NOZZLE |
| 1C | 570031 | PRATT AERATOR SUITS ALL EYE & FACE WASH INC. WASHER |
| 1D | 570032 | PRATT 304 STAINLESS STEEL RING SUITS EYE & FACE WASH AERATOR |
| 2 | 570003 | PRATT EYEWASH NOZZLE ASSEMBLY S/STEEL WITH RUBBER EYECUP SUITS ALL ELITE EYEWASH |
| 2A 3B | 570018 | PRATT AERATOR SUITS ALL ELITE AND ECONOMY EYEWASH |
| 2B | 570017 | PRATT RUBBER EYEWASH CUP WITH YELLOW DUST CAP SUITS ALL ELITE EYEWASH |
| 2C | 570028 | PRATT 304 STAINLESS STEEL RING SUITS EYEWASH AERATOR |
| 3 | 570004 | PRATT EYEWASH NOZZLE ASSEMBLY S/STEEL WITH YELLOW DUST CAP SUITS SE693 AND FTL EYEWASH |
| 3A | 570023 | PRATT YELLOW DUST CAPS PLASTIC SUITS SE693 AND FTL EYEWASH |
| 4 | 570006 | PRATT S/STEEL EYEWASH BOWL SUITS ALL ELITE EYEWASH |
| 5 | 570010 | PRATT S/STEEL PUSH HANDLE FOR 570012 S/STEEL BALL VALVE SUITS ALL ELITE EYEWASH |
| 6 | 570012 | PRATT 15MM S/STEEL BALL VALVE FOR 570010 S/STEEL PUSH HANDLE SUITS ALL ELITE EYEWASH |
| 7 | 570020 | PRATT S/STEEL FOOT TREADLE SILVER SUITS ALL ELITE EYEWASH |
| 8 | 570024 | PRATT BLACK WASHER FOR STANCHION JOINT SUITS ALL ELITE SHOWERS |
| 9 | 570014 | PRATT 25mm S/STEEL BALL VALVE WITH LEVER ARM SUITS ALL ELITE SHOWERS |
| 10 | 570016 | PRAT S/STEEL PULL ROD SILVER SUITS ALL ELITE SHOWERS |
| 11 | 570007 | PRATT ABS PLASTIC SHOWER HEAD WITH SWIRLTEC NOZZLE SUITS ALL ELITE SHOWERS |
| 12 | 570008 | PRATT S/STEEL SHOWER HEAD WITH SWIRLTEC NOZZLE SUITS SE693 |